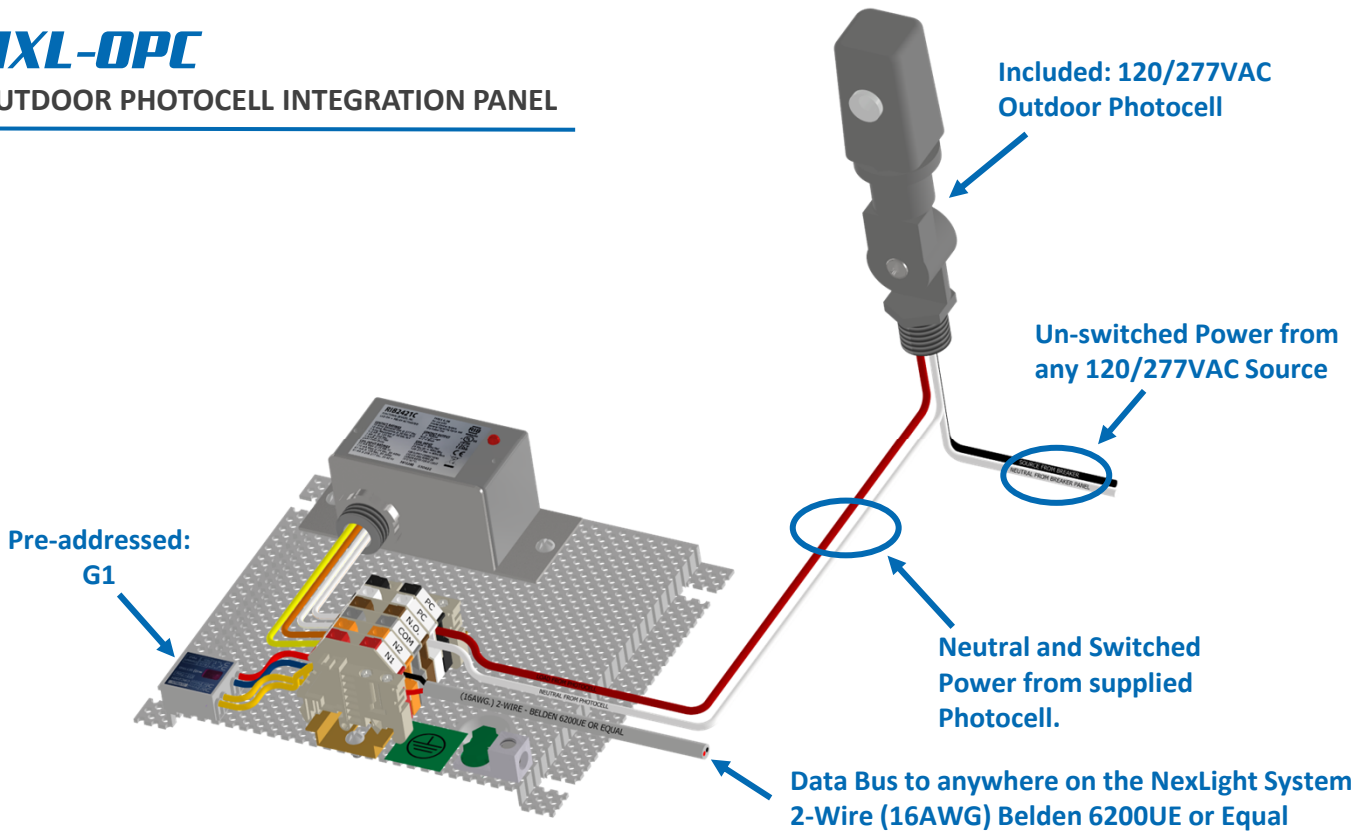


NXL-OPC

OUTDOOR PHOTOCELL INTEGRATION PANEL



APPLICATION OVERVIEW

The NXL-OPC is an Accessory Panel designed to easily allow the addition of an outdoor photocell into a NexLight Lighting Control System. The small enclosure can easily be mounted near the outdoor photocell, minimizing the line voltage run lengths. This is a multi-voltage solution that simplifies installation for the installing contractor.

APPLICATION HIGHLIGHTS

- Included 120/277VAC Outdoor Photocell
- Use with R Series, D Series or a Custom Panel.
- Fully Addressable to provide group control of relays.
- Ability to add a Disable-Address for the outdoor photocell.

TYPICAL DATA BUS CONNECTIONS

